

QLD
BlackTrac
Archerfield,
Caboolture,
Beaudesert, Lismore
Anthony Patterson
0439 661 797

QLD
David Evans Group
Taylor St
Toowoomba
Alan Geldard
0427 622 712

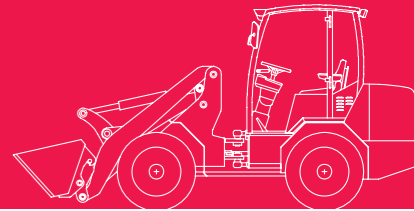
NSW
TT Equipment
152 Hartley Rd
Smeaton Grange
Cameron Moir
0417 669 707

WA
Boya Equipment
16 Foley St
Balcatta Perth
Peter Beste
1800 086 157

SA
Daak Engineering
151 Sir Donald
Bradman Dve Hilton
Andrew Abbott
0407 988 690

VIC
Godings Machinery
Rockbank
Whittlesea
David Cox
0417 518 283

Schaffer Loaders

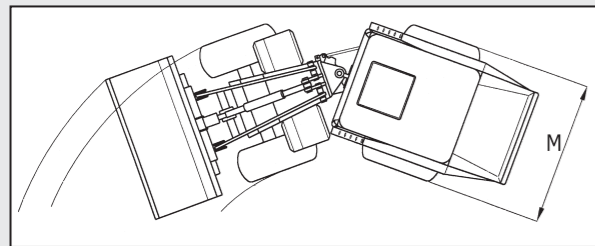
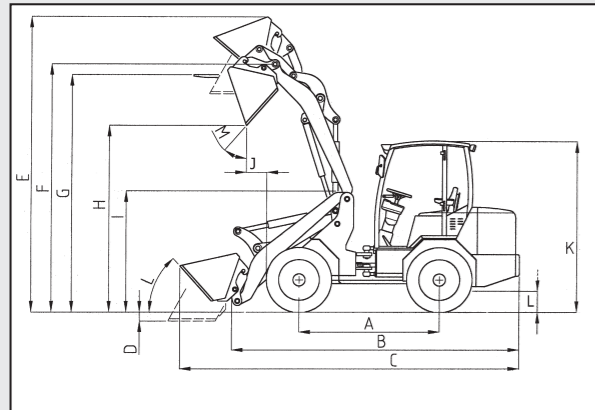


SCHAFFER LOADERS are used in construction, agriculture, industry, horticulture, shires, landscaping, parks and golf courses, mining and more.

Request a demo and see the tremendous potential of a Schaffer loader for yourself.

With first class back up and service from your local Schaffer Loaders representative.

You'll be proud to say your machine is **"made by Schaffer"**



A **SCHAFFER LOADER** can be set up to suit your needs with a wide range of accessories including a **demolition hammer, dozer blade, high tip bucket** and more.



Sweeper



Slasher



4-in-1 Bucket



Pallet Forks



Auger

	2022(S)	2026	3150	5050Z	5058ZS	9100Z / 9100ZS
Diesel Engine	Kubota D1105	Kubota D1105	Kubota V2203	Kubota V2203	Kubota V3300E	Deutz BF4M2012
Max horsepower	19kW (26hp)	19kW (26hp)	36kW (50hp) or 58hpT	36kW (50hp) or 58hpT	51kW (70hp)	73kW (102hp) or 130hp IT
Driving Hydraulics	Hydraulic	Hydrostatic	Hydrostatic	Hydrostatic	Hydrostatic	Hydrostatic
Flow Rate litres/minute	70	90	135	126	140	198
Working Pressure: bar (psi)	200 (2900)	300 (4300)	350 (5000)	350 (5000)	350 (5000)	480 (7000)
Drive type	Motor to each axle	Motor to each axle	Drive Shaft	Drive Shaft	Drive Shaft	Drive Shaft
Articulation Angle	60	60	47	47	42	47
Tyre size	26x12-12	26x12-12	31x15.5-15/15.0x55-17	15.0x55-17	365x70-18	405x70-20
Foot Brake	Hydrostatic	Hydrostatic	Hydrostatic	Hydrostatic	Hydrostatic	Hydrostatic
Hand Brake	Drum brake	Drum brake	Wet pack	Wet pack	Wet pack	Mechanical/Wet pack
Auxiliary Flow at 2800 RPM	35 l/min	40 l/min	60 l/min	60 l/min	80 l/min	110 l/min
Pressure: bar (psi)	200 bar - 2900 (psi)	200 bar (2900 psi)	200 bar (2900 psi)	200 bar (2900 psi)	220 bar (3200 psi)	220 bar (3200 psi)
Breakout force	1000 kg	1000 kg	1500 kg	2700 kg	2700 kg	2700 kg
Tipping Load, straight	1010 kg	1010 kg	2300 kg	2300 kg	3100 kg	4400 / 3650 kg
Tipping Load, articulated	720 kg	720 kg	1850 kg	1850 kg	2650 kg	3600 / 2950 kg
Op. Load (50% artic. load)	350 kg	350 kg	900 kg	900 kg	1300 kg	1800 / 1475 kg
GP bucket (1700kg/m3)	0.20 m3	0.20 m3	0.50m3	0.50m3	0.75m3	1.00/0.85 m3
Op. Load on pallet forks:						
60% of tipping load for uneven terrain	275-325 kg	275-325 kg	875 kg	875 kg	1300 kg	1850/1550 kg
80% of tipping load for even terrain	350-450 kg	350-450 kg	1175 kg	1175 kg	1750 kg	2500/2100 kg
Operating Weight incl. GP bucket	1500-1750 kg	1500-1750 kg	2500-3000 kg	3700-4200 kg	4000-5000 kg	5500-6000 kg
Standard machine	1500 kg	1500 kg	2750 kg	4000 kg	4600 kg	6000 kg
Speed km/hr	0-15	0-15	0-20, 2 speed	0-20, 2 speed	0-20, 2 speed	0-20/32, 2 speed
Fuel / Oil Capacity	23 L / 30 L	23 L / 30 L	48 L / 50 L	60 L / 60 L	60 L / 60 L	95 L / 105 L
A: Axle base	1375	1375	1560	1720	1930	2170
B: Chassis length	2780	2780	3380	4100	4240	4550
C: Total Length	3500	3500	4170	4750	4870	5345 / 5600
D: Excavating depth	120	120	135	175	180	160 / 250
E: Max. working height	3180	3180	3000	3930	4070	4035 / 4335
F: Max. bucket pivot point	2500	2500	2500	3300	3400	3400 / 3800
G: Fork loading height	2390	2390	2265	3045	3175	3175 / 3475
H: Maximum dump height	1900	1900	1700	2500	2700	2700 / 3000
I: Height of front of vehicle	1520	1520	1530	1570	1640	1625
J: Forward reach	580	580	560	550	600	465
K: ROPS Height - Up/Folded	2100/1750	2100/1750	2280/1880	2200	2350	2460
Cabin - Hardtop height	Fold ROPS	Fold ROPS	2140	Cab/Hardtop	Cab/Hardtop	Cab/Hardtop
L: Ground clearance	200	200	260	260	330	300
M: Total width mm	900-1250	900-1250	1300-1400	1600	1600-1750	2050

Due to continuing improvement, specifications and design are subject to change without notice. Specifications may vary and may be approximate.

Superior German engineering in a compact form



3150



2022S



9100Z



Schaffer loaders set new standards in **agility, quality, stability, versatility, safety and economic efficiency.**

SCHAFFER, has been Europe's leading brand in hydraulic articulated loaders for over 40 years. Built to last using the finest componentry and German engineering, the Schaffer name is synonymous with quality, durability and performance.

A Schaffer loader offers superior performance under any conditions, but is at its best in tight situations where its articulated agility is a real asset.

Make a Schaffer loader your partner at work.

Versatile: powerful auxiliary hydraulics run a huge range of accessories.

Compact: unrivalled compact dimensions and maximum articulation combine for easy access to the tightest spaces.

Heavy duty build: compare our over-specified masts, pins and rams.

Plus great all round visibility, impressive pushing power, minimal ground disturbance and low noise levels.



Kubota engines 20-70hp.
Duetz engines 100-130hp
Fully welded combi radiator/oil cooler & industrial standard
Bosch-Rexroth hydraulics



Maintenance free articulation joint gives 42-65 degrees for turning. Reduces cycle time, saves fuel & allows for work in confined areas



Choice of ROPS: one minute fold down bar, hardtop, cabin

Easy to drive with all controls on the joystick

Rotating safety beacon

Cyclone pre-filter traps dust for cooler, cleaner air

Reverse beeper

Sight gauge & float control

Narrow mast for optimum view

Powerful auxiliary hydraulics to run accessories

Parallel lift to keep bucket & forks level

Long wheelbase & constant 4WD for a superior ride

Wet pack, service free brakes from 3033 up. Self braking system

Machine widths from 790mm



Industry leading lift heights 2.5-3.8m

Choice of tyres:
Agricultural Lug
Industrial Lug
Sand/Turf,
Quick release duals

Oscillation & articulation joint in 2020-4050Z for greater traction

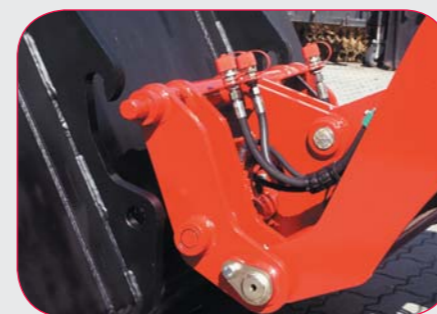
Oscillating rear outboard planetary axles & LSD's from 5058Z up gives outstanding performance in rough terrain

Exceptional service access under lockable bonnet & seat

Donaldson air filters with safety element protect your engine



ZF axles - original Schaffer design developed for high torque & long life with heavy loads



Quick Hitch - hydraulic & manual allows rapid changing of accessories



Spacious layout - fully adjustable Grammer suspension seat & steering column



Oversized rams guarantee powerful lifting forces. Spherical bearings & hardened pins maximize service life